



TOTALLY TALLEY

DISH, AT&T OBJECT TO SPACEX AND T-MOBILE'S SPECTRUM REQUEST

THE DISH 5G NETWORK IS NOW AVAILABLE TO OVER 70 PERCENT OF THE U.S. POPULATION



Talley Inc. has reached an impressive milestone in the wireless communications industry. For 40 years, we have been at the forefront of providing top-quality products and wireless communications solutions to customers across the United States. This achievement is a testament of our commitment to innovation and service excellence.

To mark this incredible milestone, we have launched an exclusive anniversary page. Our 40th anniversary page is filled with exciting announcements, Talley history, and a chance at one of our grand prizes with our "Win Big with Talley in July!" anniversary giveaway contest.

Now we are sure you are asking what is the anniversary giveaway contest? Well Talley gives all our customers

the opportunity to win four BIG prizes during Talley's anniversary month with weekly drawings. It's easy to enter the drawings and play, just answer the weekly question correctly and you will be entered for the drawing. Yes, its that simple!

Talley's 40 year anniversary is an incredible achievement that should be celebrated. Our success is a testament to the hard work and dedication from sales to operations, everyone at Talley plays a vital role in ensuring the company's continued success since the beginning. We are grateful to our staff, vendors, and customers. Thank you for being a big part of Talley for 40 years!

Visit [TotallyTalley.com](http://TotallyTalley.com) and be part of the celebration!

## Thank You to Our Sponsors!



Platinum Sponsor



Gold Sponsor



Silver Sponsor



Bronze Sponsor

# WELCOME TO COMS MEDIA!

COMS Media is a central hub bringing the telecommunications industry together with the latest updates, technology, and news!

We are dedicated to keeping you informed and connected in regards to the latest and greatest in telecommunications policy, advocacy, innovations, infrastructure, essential parts and equipment, and much more. Be sure to follow us as we bring you global infrastructure updates to US Big Tech news.

Please enjoy the content we have assembled and be sure to follow the QR Codes to link to our online information hub and to connect with essential vendors to keep your next project thriving.

We would like to extend a 'thank you' to our premier partner, Talley, Inc. and its network of leading telecommunications vendors for helping us make this launch possible, and we look forward to many more successful partnership opportunities in the future.



## *A Quarterly Publication*

Totally Talley	2
Company Message	3
Dish, AT&T object to SpaceX and T-Mobile's spectrum request	6
The DISH 5G Network is Now Available to Over 70 Percent of the U.S. Population	10
COMS Media Premier Partner	11



**Phone:**  
800.949.7079

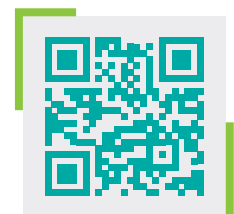
**Text MSG:**  
562.210.0094

**Email:**  
Sales@Talleycom.com

**Fax:**  
800.530.8821

**Talleycom.com**

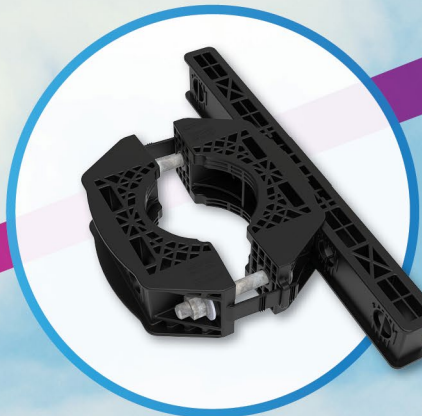
**Hours:**  
Monday - Friday  
7:00 am - 5:00 pm  
Local Time



**The toughest PIM protection just got tougher.**

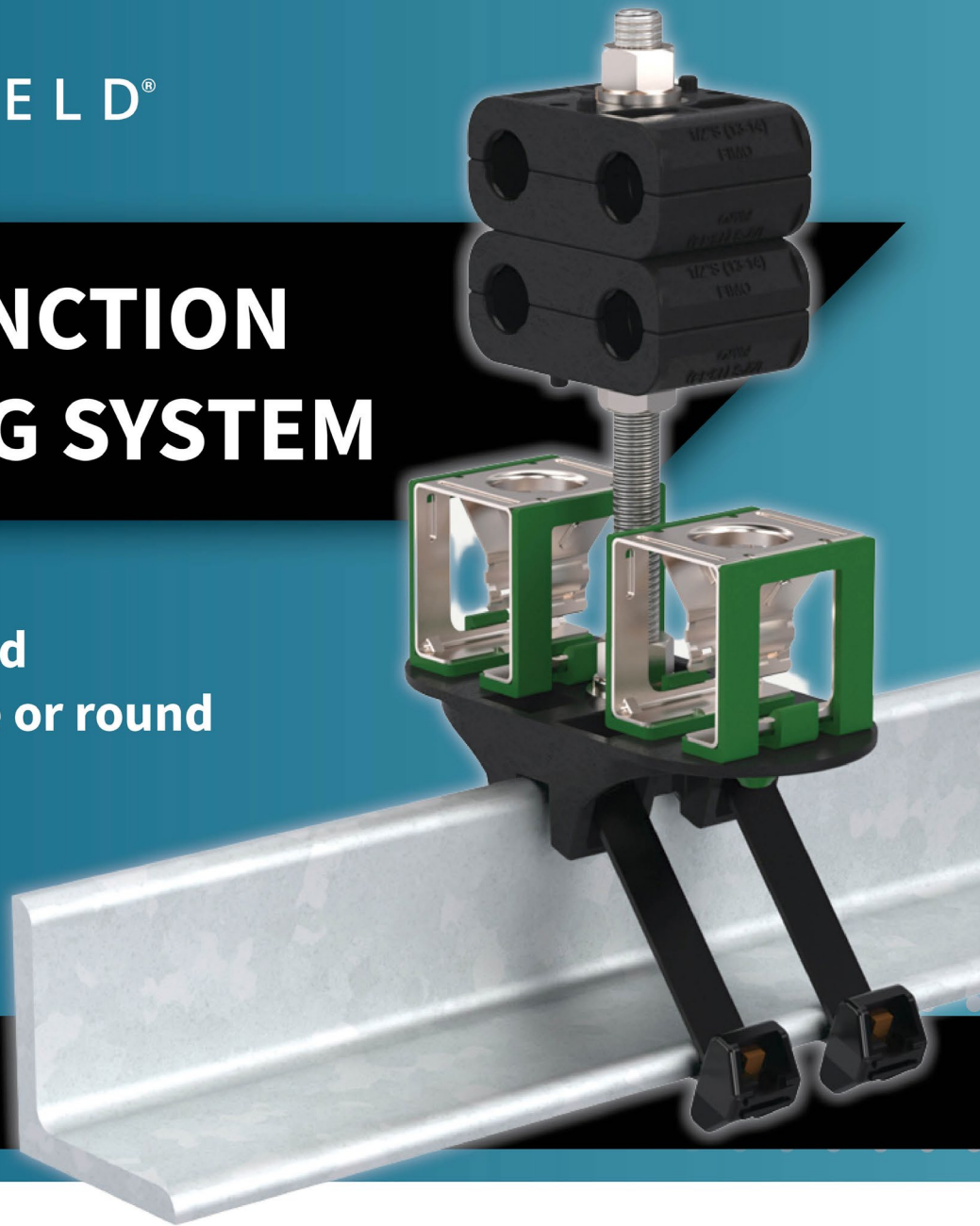
---

**PIM-Guard polymer cable supports now available at Talley.**



# MULTI-FUNCTION MOUNTING SYSTEM

- Low PIM
- Carrier approved
- Mounts to angle or round members



PIM Shield Multi-Function  
Cable Support Base, SS

901043-10



PIM Shield Multi-Function  
Snap-in Adapter 1 Position

901044-10



PIM Shield Multi-Function  
Snap-in Adapter 2 Position

901045-10





# DISH, AT&T OBJECT TO SPACEX AND T-MOBILE'S SPECTRUM REQUEST

In April, the Federal Communications Commission's Space Bureau and Wireless Telecommunications Bureau opened a proceeding to accept comments on filings of SpaceX and T-Mobile to establish supplemental wireless coverage from space.

T-Mobile and SpaceX first announced their intention to work together on satellite-to-mobile coverage in August, 2022.

To move forward, SpaceX is requesting a modification of its license to add cellular communications capability on 7,500 of its Gen2, low-Earth-orbit Starlink satellites.

SpaceX seeks to operate using the 1910-1915 MHz (Earth-to-space) and 1990-1995 MHz (space-to-Earth) bands for links to end-user devices. This is also called "G-Block" spectrum.

Interested parties had until June 2 to make comments to the FCC on this issue.

It was surprising when AT&T filed comments on May 18 expressing concern that SpaceX and T-Mobile's plan might interfere with the delivery of terrestrial wireless services.

"Terrestrial services are inherently more robust than limited SCS [supplemental coverage from space] service offerings," wrote AT&T. "Allowing SCS operations to interfere with or replace existing co-channel terrestrial services would thus degrade service quality and reliability for American consumers."

Curiously, AT&T's comments show concern about interference to T-Mobile's terrestrial operations.

AT&T wrote, "The Commission should seek clarification from SpaceX regarding how it will ensure that its service will not cause interference to other authorized terrestrial services, including T-Mobile's own operations in the PCS G Block."

Why does AT&T care whether T-Mobile suffers from interference issues due to its work with SpaceX?

Cynics might wonder if AT&T is just trying to delay the progress of T-Mobile and SpaceX on space-to-mobile supplementary coverage.

For its part, AT&T is working with AST SpaceMobile to pursue its own interest in space-to-mobile communications.

In its comments, AT&T said it has submitted several notification forms to the FCC's Wireless Telecommunications Bureau saying that it will lease certain spectrum to AST for the provision of supplemental satellite services.

AT&T has previously told Fierce Wireless that AST's satellites will not transmit in areas covered by AT&T's terrestrial cellular network.

*(Article continues on the next page.)*

## Other objections to T-Mobile and SpaceX's collaboration

Dish Network, which is no friend of SpaceX, also filed comments with the FCC, urging it to dismiss or deny SpaceX's application.

Among its concerns, Dish said SpaceX has failed to explain how it will avoid excessive out-of-band emissions in the adjacent H Block and AWS-4 spectrum licensed to Dish.

"Given the risk of harmful interference to existing adjacent bands and adjacent country and international services, SpaceX must provide all the facts now, on the front end, before the Commission moves forward with any application," wrote Dish.

The Rural Wireless Association also filed comments saying it was concerned that T-Mobile's and SpaceX's proposed operations may cause adjacent channel interference to licensees' mobile and fixed network operations in the 1895-1910 MHz and 1975-1990 MHz bands ("PCS C-Block") in rural and remote areas.

## T-Mobile and SpaceX rebuttals

T-Mobile has responded to objections, saying "The T-Mobile consumer handsets that will communicate with SpaceX satellites will be the same handsets that operate today on T-Mobile's terrestrial network. Thus, no further demonstrations regarding the potential interference from T-Mobile's handset operations are necessary."

It also said there is no basis to require either SpaceX or T-Mobile to demonstrate the potential impact of SpaceX's SCS service on T-Mobile's network, calling AT&T's concerns "disingenuous."

In a lengthy response to all the parties that oppose SpaceX's application, SpaceX wrote, "Unfortunately, a few parties hoping to build competing systems also resort to the growingly common tactic of trying to have the Commission force SpaceX to make public unrelated proprietary information for unnecessary but competitively harmful reasons."

*Article Credit: <https://www.fiercewireless.com/wireless/dish-att-object-spacex-and-t-mobiles-spectrum-request>*



**PREVENT DAMAGE FROM ENERGY SPIKES THAT CAN BE CAUSED BY LIGHTNING AND OTHER STRONG ELECTRICAL POWER.**



**RFS Technologies**  
an Amphenol Company

**EMPOWERING YOUR BUSINESS  
with seamless connectivity**



**An RF connectivity pioneer delivering  
high-performance fully customizable solutions  
for outdoor and indoor wireless networks for  
every industry and market need**

[www.rfstechnologies.com](http://www.rfstechnologies.com)

**T TIMES**  
MICROWAVE SYSTEMS  
AN AMPHENOL COMPANY

**LMR**<sup>®</sup>  
CABLES • CONNECTORS • TOOLS • ASSEMBLIES

**30**  
YEARS

*Standing the  
test of time*





# PHANTOM ANTENNA FAMILY

The patented and unique Phantom antenna family has been a trusted and proven product line for decades. From VHF up to 5G and a wide variety of mounts and connectors there is an option to suit any need.

Browse the Phantom antenna family on [Talleycom.com](http://Talleycom.com) today.

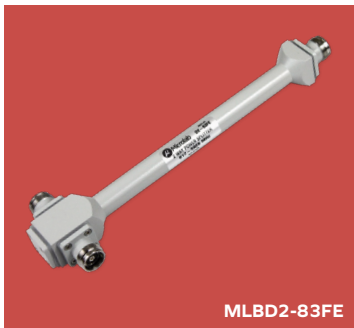


© 2023 TE Connectivity. All Rights Reserved. TE Connectivity, TE and the TE connectivity (logo) are trademarks of the TE Connectivity Ltd. family of companies.



**Microlab**  
A Division of RF Industries

## GET THE CORE 5G DAS PRODUCTS YOU NEED



Microlab ultra-wideband and C-Band passive DAS solutions  
Everything you need for venues and buildings of all sizes and shapes

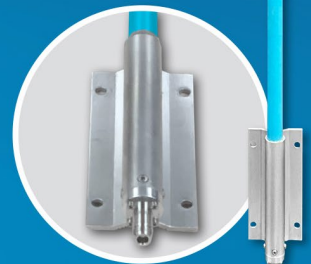
Learn more at [Talleycom.com](http://Talleycom.com) or call 800.949.7079

## NEW End-to-End Tri-Band Antenna Solution

Covering:  
VHF, UHF & 698-960 MHz Bands

SW-2340  
Whip Antenna

SC2340  
Collinear Antenna



**SINCLAIR**  
sinctech.com

Contact your Talley Representative for More Information



# THE DISH 5G NETWORK IS NOW AVAILABLE TO OVER 70 PERCENT OF THE U.S. POPULATION

As of June 14, DISH Wireless is offering 5G broadband<sup>1</sup> service to over 70 percent of the U.S. population, giving more than 240 million Americans access to the very latest in connectivity technology. This marks a major milestone for DISH and the U.S. telecom industry, as we designed, built and deployed a first-of-its-kind 5G network in three years. DISH has also satisfied all other June 14, 2023 FCC commitments, including launching over 15,000 5G sites.

“Our teams have worked tirelessly for years, and this achievement is a testament to their dedication and commitment as we grow the world’s first and only 5G cloud-native Open RAN network,” said Dave Mayo, executive vice president, Network Development, DISH Wireless. “We appreciate the continued support and efforts of our partners as DISH continues to lead the industry in Open RAN deployment.”

DISH is also the first wireless service provider to launch 5G voice service – called voice over new radio (VoNR) – in the U.S. Since going live in Las Vegas last year, DISH steadily increased VoNR functionality to additional markets. Our VoNR service now covers more than 70 million people across the U.S. through both Boost Mobile and Boost Infinite. DISH plans to continue rolling out VoNR service as the network is further optimized for this next-generation voice technology.

“As a leader in Open RAN technology, DISH is playing a major role in the transformation of America’s wireless infrastructure

and the way the world communicates,” said John Swieringa, president and chief operating officer, DISH Wireless. “We have made significant progress on our network buildout, and can now focus on monetizing the network through retail and enterprise growth. With more markets across the country offering the DISH 5G network for voice, text and data services, our business can start realizing the benefits of owner economics.”

Customers can access the DISH 5G broadband network through Project Genesis, which provides valuable customer input on network performance impacting our broader retail wireless users. It is available to anyone in a qualifying location within the 70 percent coverage area. To sign up for Project Genesis unlimited data, voice and text, visit [Genesis5G.com](https://Genesis5G.com). The Motorola edge+ 2023 is now available to Project Genesis subscribers, and is equipped with three carrier aggregation that supports Bands 29, 66, 70 and 712.

The DISH 5G network is also available to both Boost Mobile and Boost Infinite subscribers who own or purchase a network compatible device in over 50 markets nationwide. Additional Boost Mobile and Boost Infinite markets, and DISH 5G network compatible devices will continue to become available throughout the year.

DISH will file its FCC buildout report no later than July 14, 2023.

For a complete list of DISH’s wireless partners, please visit [DISHWireless.com/home](https://DISHWireless.com/home).

*Articles Credit: <https://www.prnewswire.com/news-releases/the-dish-5g-network-is-now-available-to-over-70-percent-of-the-us-population-301851576.html>*

## COMS MEDIA PREMIER PARTNER

Talley Inc. is a premier distributor of Wireless Infrastructure, Communications and Mobile Products. Talley serves the needs of wireless communications professionals in a wide range of industries from Private and Public Safety networks to nationwide Cellular Carrier networks. With 11 strategically located facilities in the US and nearly four decades of experience, Talley is now one of the nation's largest wireless distributors in the industry. Talley services customers in several focused industry segments, stocking inventory from over 300 top suppliers that continue to support the demands of our evolving wireless network.



Our website provides instant access, expanded capabilities and increased connection to Talley's huge inventory of Wireless Infrastructure and Mobile Products. Everything Talley sells is at your fingertips even faster and more efficient than ever. Your next project is only a click away. Visit [www.Talleycom.com](http://www.Talleycom.com) today and see how we make shopping easy.

### Our Online Features Include

- Live Chat
- Real Time Inventory
- Robust Search Capabilities
- Custom Favorites
- Real Time Shipping Estimates
- Order Tracking
- Access to Account Summary
- Access to Print Invoices
- RGA Request
- New Account Request

## LET US HELP YOU WITH YOUR PROJECT TODAY!

- Outdoor Wireless Networks
- Indoor Wireless Networks
- Two-Way Land Mobile Radio
- Transport
- Control Systems

## 11 DISTRIBUTION FACILITIES

### Atlanta

3100 Shawnee Industrial Way  
Ste. 100  
Suwanee, GA 30024  
Phone: 678-318-5566

### Chicago

2145 Internationale Pkwy.  
Ste. 400  
Woodridge, IL 60517  
Phone: 630-410-8711

### Corona

300 South Promenade  
Corona, CA 92879  
Phone: 800-949-7079

### Dallas

500 Tittle Dr.  
Ste. 300  
Lewisville, TX 75056  
Phone: 972-245-3100

### Denver

14200 E. 33rd Place  
Ste. A-1  
Aurora, CO 80011  
Phone: 720-305-4113

### Kansas City

19935 W. 157th St.  
Olathe, KS 66062  
Phone: 913-390-8484

### Los Angeles

12976 Sandoval St.  
Santa Fe Springs, CA 90670  
Phone: 562-906-8000

### New York

160 Jony Dr.  
Carlstadt, NJ 07072  
Phone: 201-460-7501

### Phoenix

3343 East Corona Ave.  
Phoenix, AZ 85040  
Phone: 602-353-8200

### Sacramento

11288 Pyrites Way  
Gold River, CA 95670  
Phone: 916-273-1300

### Seattle

22461 72nd Ave. South  
Kent, WA 98032  
Phone: 253-333-7100



**FOLLOW US**



TalleyInc



talley-inc



TalleyInc



talleyinc



talleyinc

# TALLEY® VALUED PARTNERS

Talley offers a broad and comprehensive range of Wireless Infrastructure and Mobile product solutions. For further information on how Talley can help you with your communication requirements, contact one of our sales experts today.

